

## Instructions

# Flowerpot VP1 Verner Panton 1968



---

Please read these instructions carefully and retain them for future reference to ensure the product is used correctly. For your own safety, please study each step of this instruction manual first. &Tradition is not responsible for any faults or damage caused by not following these instructions correctly. Do not modify this product in any way. If you have any questions or comments, please do not hesitate to contact us by mail on: [info@andtradition.com](mailto:info@andtradition.com)

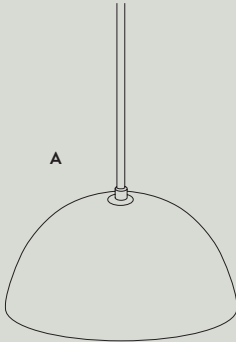
&Tradition®

# Flowerpot VP1

## Verner Panton

### 1968

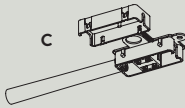
---



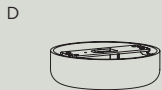
A



B



C



D

### Safety precautions

- Dispose the packaging and do not allow children to play with it.
- The lamp is only intended for interior use.
- Do not place the cable within reach of small children or anywhere there is a risk of it becoming a trip hazard.
- If the external cable or cord of the lamp is damaged, it must be replaced by the manufacturer or a similarly qualified person to avoid any potential hazards.
- Consult a professionally qualified electrician if in any doubt.
- Keep the product well out of reach of children.

### Contents

- A Shade
- B Bottom shade
- C Connection box
- D Canopy with metal ceiling bracket

### Tools needed

- Bulb type E27
- Screwdriver for wiring

### Cleaning instructions

- Wipe surface of the shade with a dry cloth.
- Do not use any abrasive cleaning tools such as steel wool, scouring sponges or stiff brushes.
- Never use strong cleaning agents such as white spirit, turpentine, household glass cleaner or cellulose thinners.

08/23

For indoor use only  
E27 Maximum 40W  
Bulb not included



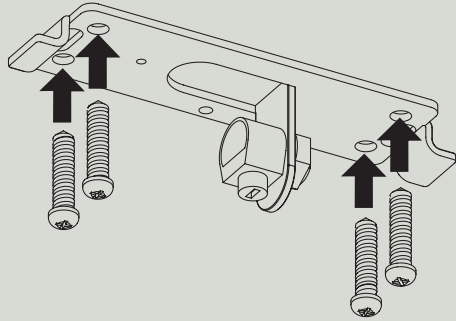
&Tradition®

**Please follow steps 1 to 4 to assemble the product.**

### **Step 1 / 4**

---

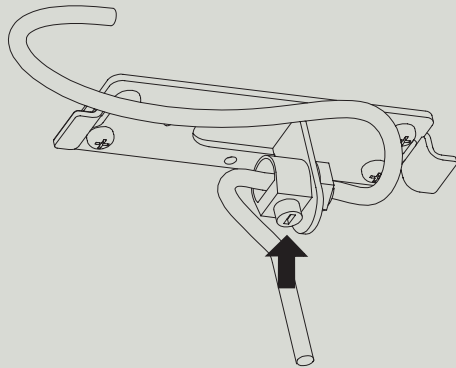
Ensure power supply is turned off and remove any existing lamp fitting.  
Locate the supply cable and ensure it is ready to be fitted to the connector block.  
Mount the metal bracket securely in the ceiling with screws and wall plugs, appropriate for the ceiling of installation.



### **Step 2 / 4**

---

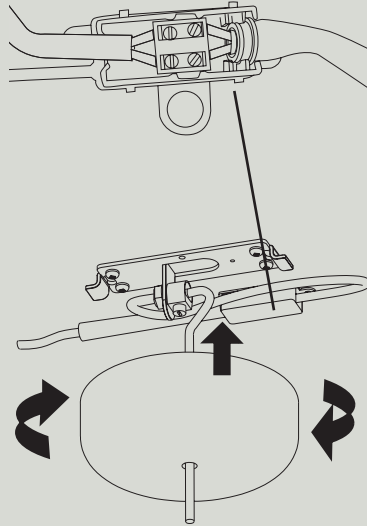
To determine the right suspension height for the lamp, pass the electrical cord through the strain relief of the metal bracket. When you have the desired suspension height of the lamp, tighten the plastic screw of the strain relief.



### Step 3 / 4

---

Once you have aligned the holes of the shade and the base, insert the screws and tighten them by hand.



### Step 4 / 4

---

Install the lightbulb. Mount the bottom shade (B) onto the three pronged arm inside the shade (A) as shown. Switch on the power supply at the fusebox and enjoy your new lamp.

