

Instructions

Journey SHY2 Signe Hytte 2018



Please read these instructions carefully and retain them for future reference to ensure the product is used correctly. For your own safety, please study each step of this instruction manual first. &Tradition is not responsible for any faults or damage caused by not following these instructions correctly. Do not modify this product in any way. If you have any questions or comments, please do not hesitate to contact us by mail on: info@andtradition.com

&Tradition[®]

Journey SHY2

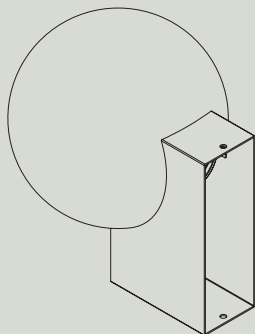
Signe Hytte

2018

Safety precautions

- Dispose of plastic bag from packaging and do not allow children to play with it.
- Keep product well out of children's reach.
- The lamp is only intended for interior use.
- Consult a professionally qualified electrician if in any doubt.

A



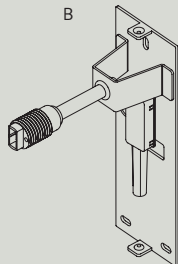
Contents

- A** Lamp
- B** Wall bracket
- C** Glass diffuser
- D** 2 x Hex screws

Tools needed

- Bulb type G9
- Screws and plugs (for the specific wall type)
- Electric drill
- Screwdriver

B



C



D



Cleaning instructions

- Wipe surface of lamp shade with a soft, damp sponge or cloth.
- Do not use any abrasive cleaning tools such as steel wool, scouring sponges or stiff brushes.
- Never use strong cleaning agents such as white spirit, turpentine, household glass cleaner or cellulose thinners.

04/23

For indoor use only
G9 Maximum 5W LED
Bulb not included

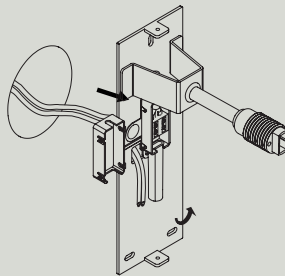


&Tradition®

Please follow steps 1 to 6 to install the product.

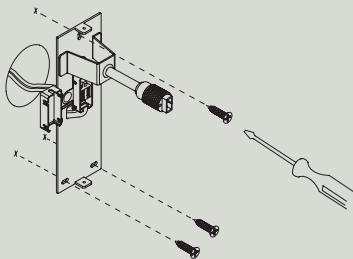
Step 1 / 6

Locate the supply cable and pass it through the hole of the wall bracket. Pass the cable through the black plastic tube and into the connector box.



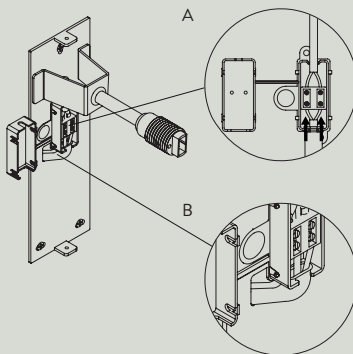
Step 2 / 6

Mark the holes in the desired position and mount the metal bracket securely to the wall with appropriate wall plugs and screws. Make sure the electrical cable in the black tube is passing freely through the hole in the metal plate.



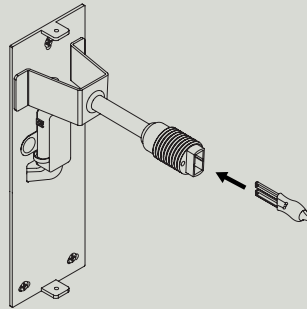
Step 3 / 6

Cut off the excess cord so a minimum of 80 mm cord is left to reconnect to the cable connector. Peel back the outer cable to expose 30 mm of the blue and brown inner cables. Strip the inner cable to expose 5 mm of the wire. Use the terminal box to assemble the wires from the lamp with the wires from the power supply. (Detail A) Make sure that the black plastic tube of the connector box is placed passing through the hole in the metal bracket to assure cable protection. (detail B)



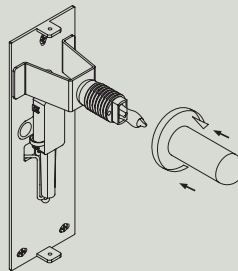
Step 4 / 6

Install the light bulb by pushing it carefully into the socket.



Step 5 / 6

Install the glass diffuser by attaching it onto the thread of the bulb socket.



Step 6 / 6

Place the lamp carefully on the wall bracket. Insert and tighten the screws to fix the lamps to the wall bracket. The lamp is now ready to use.

