

ASSEMBLY INSTRUCTION

VP GLOBE

Ø40, Ø50

Designed by

VERNER PANTON

VERPAN

*It is not the individual lamp, the individual
carpet or the individual shelf that completes
a room. But the combination of colour
complexity and light as a whole.*

BEFORE YOU GET STARTED

RECOMMENDATION: We recommend that you leave the carton board pads in during assembly and mounting. To prevent fingerprints and scratches, please use the enclosed gloves.



Read the entire manual before mounting



1-2 people job

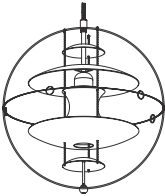


Set aside plenty of time

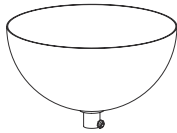
MAINTENANCE: IMPORTANT! Clean with a soft cloth, warm water and a mild detergent. Do NOT use any abrasive materials.

CLEANING KIT: You can purchase a cleaning kit developed especially for the VP Globe and Panto pendants. Contact the store where you purchased your product for further details.

BOX CONTAINS:



Globe Lamp x 1



Canopy x 1



Gloves x 1 pair



Suspension Tube x 1



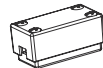
Wire Lock x 1



Plastic Loop x 1

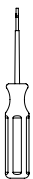


Strain Relief x 1



Terminal Block x 1

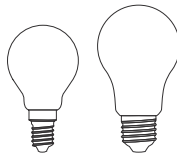
NOT INCLUDED:



Flathead Electric Screwdriver



Philips Screwdriver

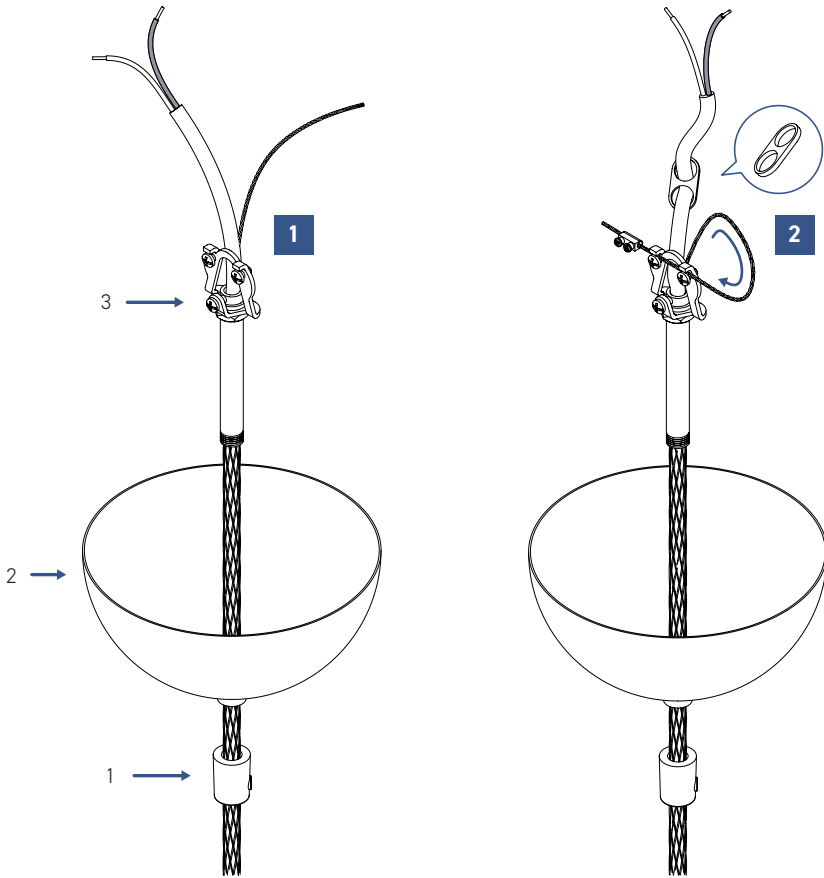


VP Globe \varnothing 40 cm: E14, max. 60W
VP Globe \varnothing 50 cm: E27, max. 60W

RECOMMENDATION:

To achieve a bright, warm and clean light. We recommend a light source with the following:
800+ lumens
2700 Kelvin
CRI90+

VP GLOBE



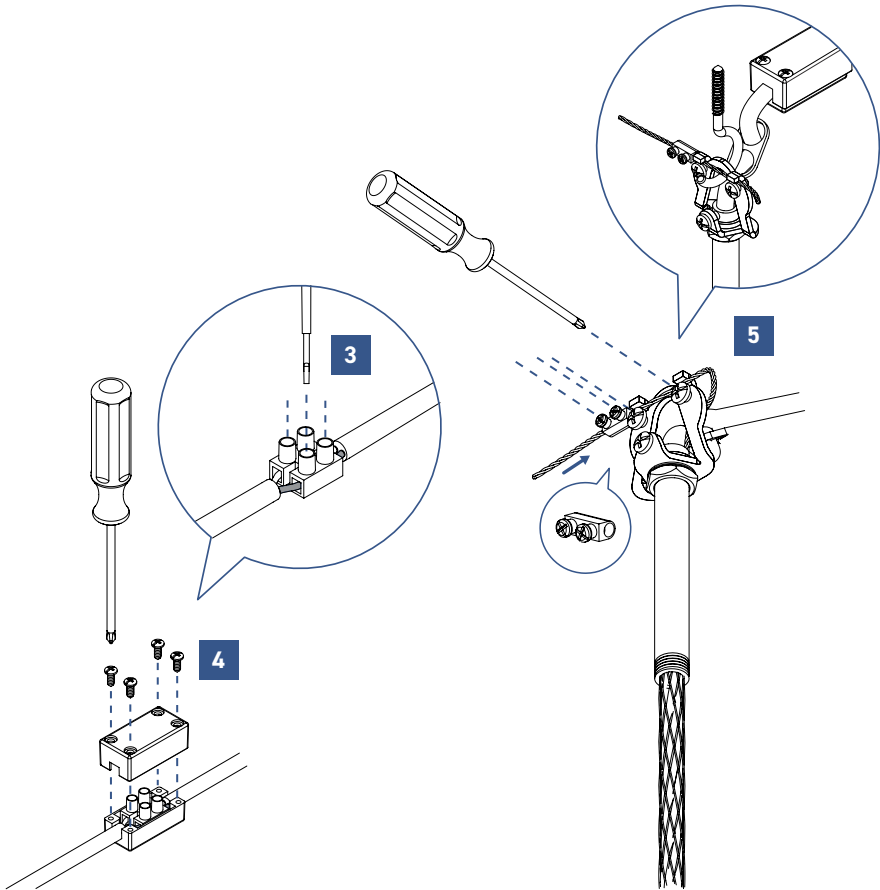
1

Apply the strain relief, canopy and hanger to the cord, in correct order.

2

Secure the plastic loop to the cord.
Fix the steel wire around the screws on the suspension tube and apply the wire lock on the steel wire

ASSEMBLY INSTRUCTION



3

Place the outlet cord in the terminal block and assemble it with screws.

4

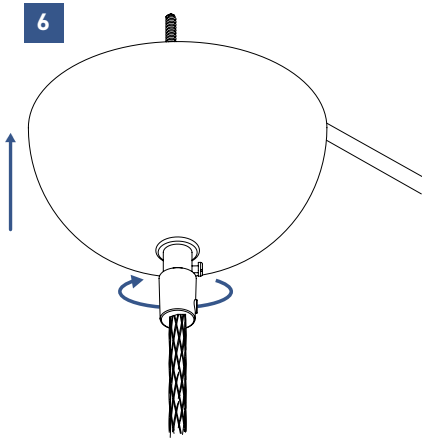
Connect the cord to an outlet or extend it by using the terminal block.

5

Push and tighten the wire lock on the steel wire and firmly tighten the screws. Use the suspension tube to mount the lamp on the ceiling.

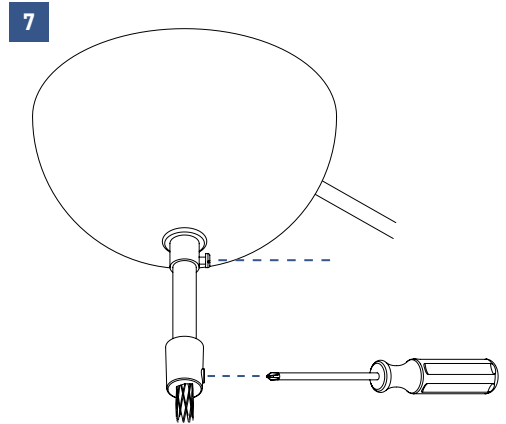
NB! The steel wire should carry the total weight of the lamp.

VP GLOBE



6

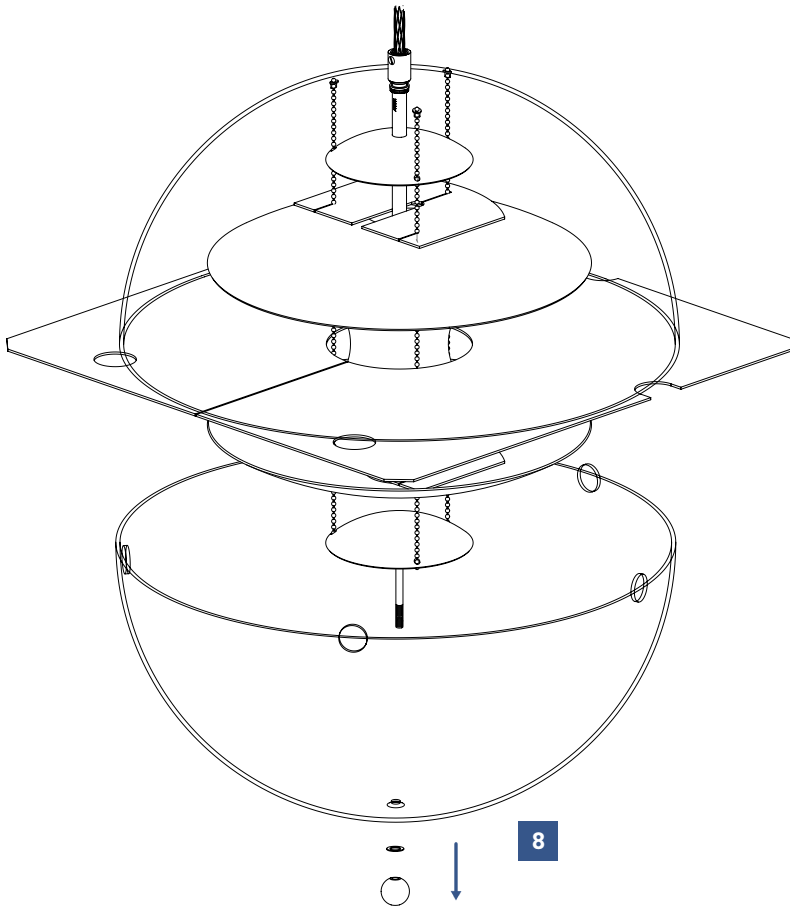
Lift the canopy so the thread at the bottom of the suspension tube is visible. Tighten the strain relief to the suspension tube.



7

Lift the canopy to the ceiling and tighten the screw on the canopy. Tighten the set screw on the strain relief.

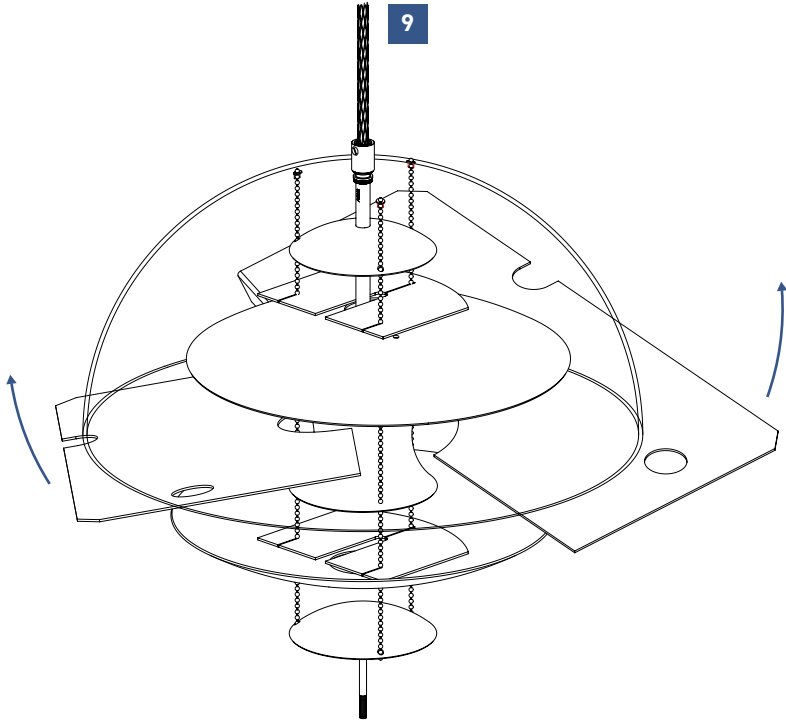
ASSEMBLY INSTRUCTION



8

Separate the bottom shell from the top, by unscrewing the metal ball and slightly lift it off.

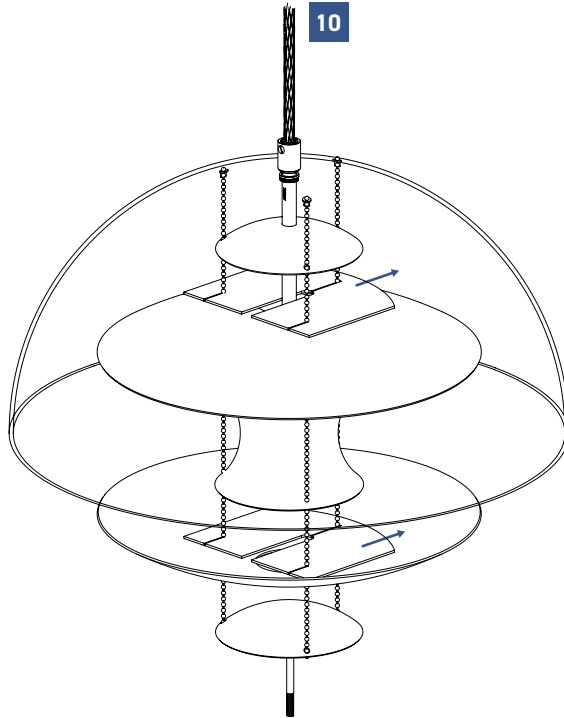
Place the bottom shell on a soft cloth to avoid damaging it.



9

Release the cardboard sheet by twisting it and then pulling it out.

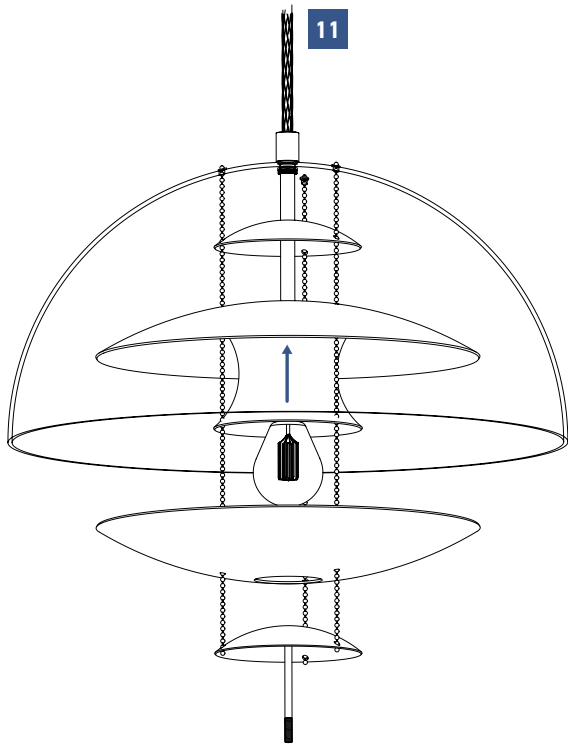
ASSEMBLY INSTRUCTION



10

Carefully remove the two cardboard discs from the lamp.

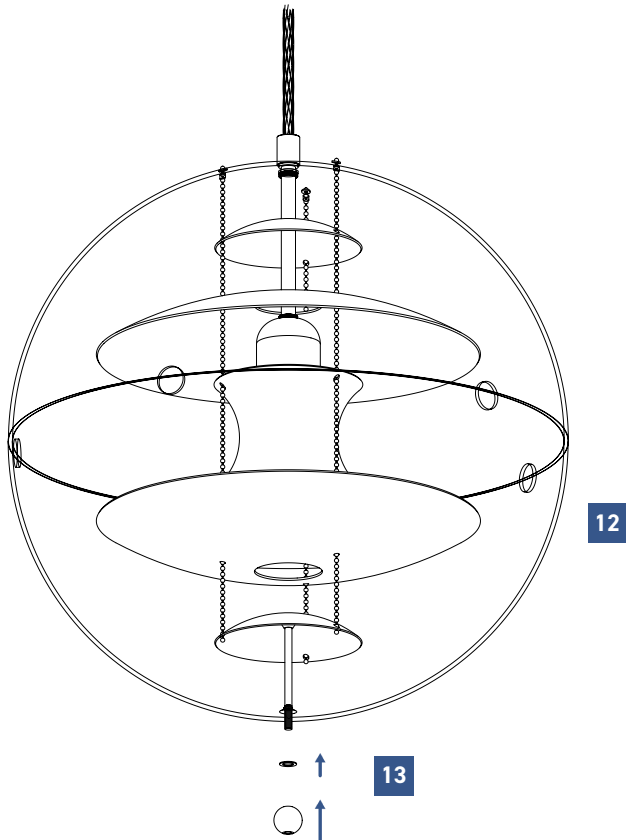
VP GLOBE



11

Gently lift the apple core to place the light source in the socket.

ASSEMBLY INSTRUCTION



12

Carefully lift the bottom acrylic shell into place.

13

Apply the washer and fasten the metal ball.

IMPORTANT! Do not tighten the metal ball too firmly, or you may damage the acrylic shell.

The shape of the acrylic shells can deviate slightly from a perfect circle. This is normal, and the shells have been paired to match. When assembling, simply rotate the bottom acrylic shell to find the best position.



VERPAN - EGESKOVVEJ 29 - DK-8700 HORSENS
WWW.VERPAN.COM

info@verpan.com