

## Instructions



# Pavilion AV16 & AV17

## Anderssen & Voll

### 2021

---

Congratulations with your new Pavilion desk, designed in 2021 by Anderssen & Voll. We hope you will enjoy using this product and follow these instructions to ensure correct installation. If you have any questions or comments, please do not hesitate to contact us by mail on:

[info@andtradition.com](mailto:info@andtradition.com)

# Pavilion AV16 & AV17

## Anderssen & Voll

### 2021

Please read these instructions carefully and retain them for future reference to ensure the product is used correctly. For your own safety, please study each step of this instruction manual first. &Tradition is not responsible for any faults or damages caused by not following these instructions correctly. Do not modify this product in any way.

#### Contents

- A - Tabletop with or without back panel
- B - Frame x 2
- C - Stretcher x 1
- D - Allen key x 1
- E - Bolts x 8
- F - Screws x 2

#### Tools needed

- Screwdriver

#### Safety precautions

- Dispose of plastic bag from packaging and do not allow children to play with it.
- The table is only intended for interior use.
- Two or more persons are needed to turn the table around once assembled.

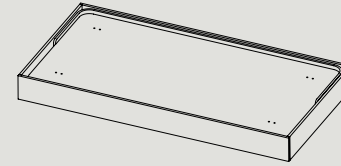
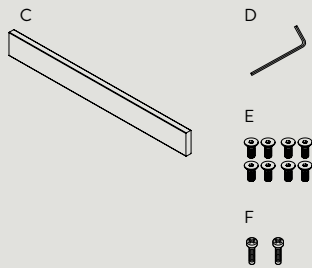
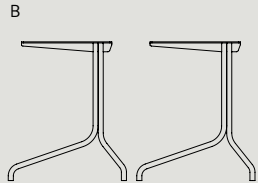
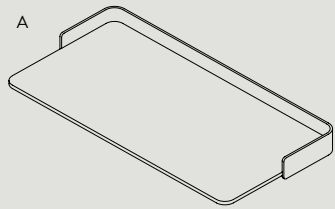
#### Cleaning instructions

##### Linoleum

Table tops with linoleum offers a soft touch surface. Regular cleaning is done with a soft cloth wrung in a mild solution of lukewarm water and a universal cleaning detergent. Avoid placing sharp objects on the surface as this may scratch the surface. It is recommended to use trivets or coasters under flowerpots, vases, cups etc.

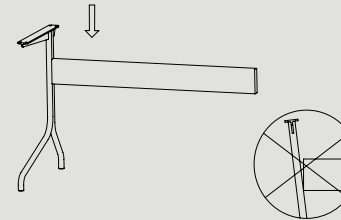
##### Lacquered wood

For daily care it is recommended to dust the furniture with a soft cloth. Lacquered wood can be cleaned with a soft cloth wrung in a mild solution of lukewarm water and a universal cleaning detergent. Always follow the wood grains and always dry with a soft dry cloth immediately after cleaning. Avoid use of abrasive cleaning agents and aggressive cleaning detergents as this will damage the surface of the lacquered wood.



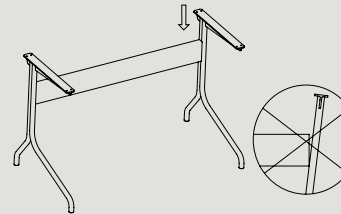
#### Step 1

To avoid possible damage, please do not remove the tabletop from the protective packaging before fully assembled.



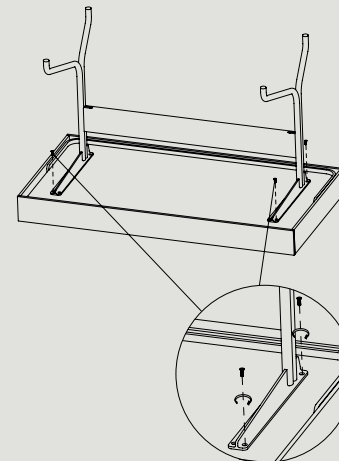
#### Step 2

Carefully attach the stretcher (C) to one of the two frames (B) by gently pushing down the stretcher. Make sure the stretcher is perpendicular to the frame.



#### Step 3

Carefully attach the stretcher (C) to the other frame (B) by gently pushing down the stretcher. Make sure the stretcher is perpendicular to the frame.

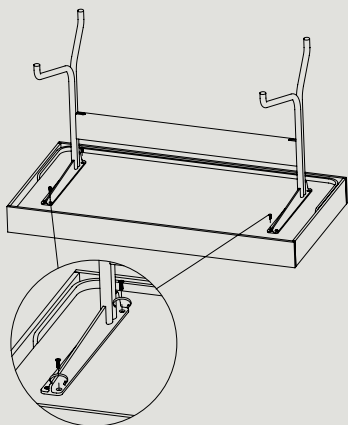


#### Step 4

Flip the base upside down by holding the two frames and place on the back side of the table top. Please note that the back panel should be located on the back side of the frames.

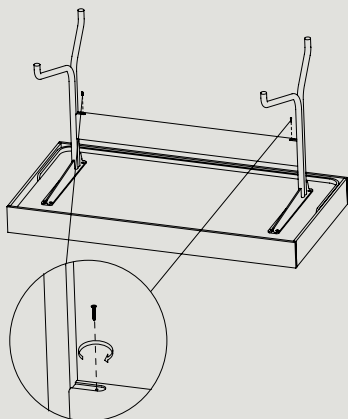
Align the two frames with the corresponding holes in the tabletop.

Place the bolts (E) in the two outer holes in each frame and fasten clockwise with the Allen key.



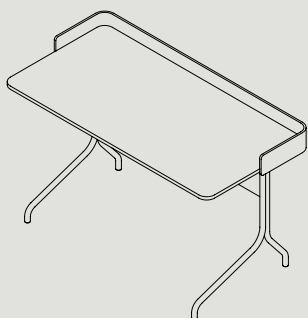
**Step 5**

Place the bolts (E) in the two inner holes in each frame and fasten clockwise with the Allen key.



**Step 6**

Mount the screws (F) in the appointed holes and fasten clockwise with a screwdriver.



**Step 7**

Flip the table around and place carefully on the floor.